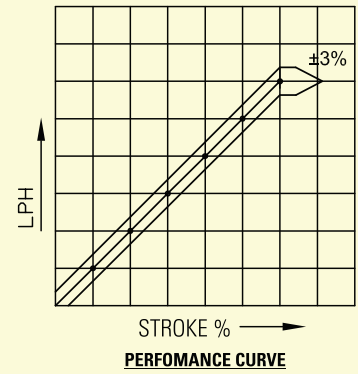




## Model: VHYD-03 Hydraulically Operated Diaphragm Type Dosing Pumps



### SELECTION CHART

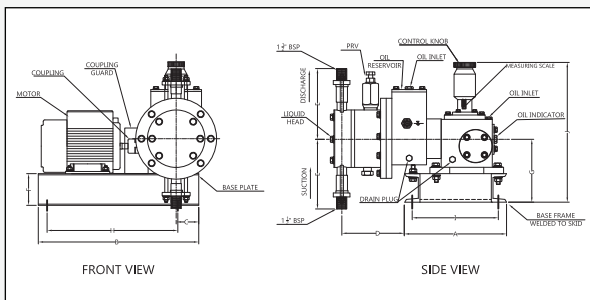
| PUMP SPEED – 100 SPM (NOMINAL) GEAR RATIO 15:1 MOTOR 1500 RPM |                     |               |            | PL. Dia mm | Max. Pr. Kg/cm <sup>2</sup> | PUMP SPEED – 100 SPM (NOMINAL) GEAR RATIO 8:1 MOTOR 1500 RPM |                     |               |            |
|---|---------------------|---------------|------------|------------|-----------------------------|--|---------------------|---------------|------------|
| Cap LPH   | Suc. Del. mm NB/BSP | % OF Max. Pr. | Motor K.W. |            |                             | Cap LPH  | Suc. Del. mm NB/BSP | % OF Max. Pr. | Motor K.W. |
| 59  | 15                  | 100           | 1.5        | 20         | 200                         | 119  | 15                  | 0.75          |            |
| 86  | 15                  |               |            | 24         | 155                         | 171  | 15                  |               |            |
| 152   | 25                  |               |            | 32         | 87                          | 304  | 25                  |               |            |
| 238   | 25                  | 70            | 2.2        | 40         | 56                          | 475  | 25                  | 2.2           |            |
| 342   | 25                  |               |            | 48         | 39                          | 684  | 40                  |               |            |
| 433   | 25                  |               |            | 54         | 31                          | 866  | 40                  |               |            |
| 571   | 25                  | 40            | 1.1        | 62         | 23                          | 1142   | 40                  | 1.1           |            |
| 627   | 40                  |               |            | 65         | 21                          | 1255   | 40                  |               |            |
| 770   | 40                  |               |            | 72         | 17                          | 1540   | 40                  |               |            |
| 1023  | 40                  | 25            | 2.2        | 83         | 13                          | 2046   | 40                  | 2.2           |            |
| 1203  | 40                  |               |            | 90         | 11                          | 2406   | 40                  |               |            |
| 1484  | 40                  |               |            | 100        | 9                           | 2968   | 40                  |               |            |

### MOC CHART

| Sr. No. | Description | MOC                                   | Sr. No. | Description      | MOC                     |
|---------|-------------|---------------------------------------|---------|------------------|-------------------------|
| 01      | PLUNGER     | EN 8                                  | 4       | NRV SEALING RING | PTFE                    |
| 02      | LIQUID HEAD | SS304, SS316, ALLOY20, P.P, PVC, PTFE |         |                  |                         |
| 03      | NON RETURN  | SS304, SS316, ALLOY20, P.P, PVC, PTFE | 5       | NRV Balls        | SS,PTFE, Glass, Ceramic |

### FEATURE

- Multiple head pumps with common drive for mixing two or more liquid in a desired ratio. The ratio can be easily reset
- The design and performance of VHYD series pumps conforms to API675



### DIMENSIONS IN MM

| A   | B   | C   | D   | E   | F  | G   | H   | I   | J   |
|-----|-----|-----|-----|-----|----|-----|-----|-----|-----|
| 530 | 625 | 103 | 220 | 215 | 75 | 208 | 470 | 490 | 540 |

**WEIGHT (App) :** 150 Kg  
**PACKING SIZE :** 32 x 28 x 27 Inches